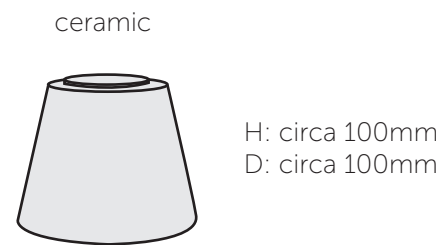
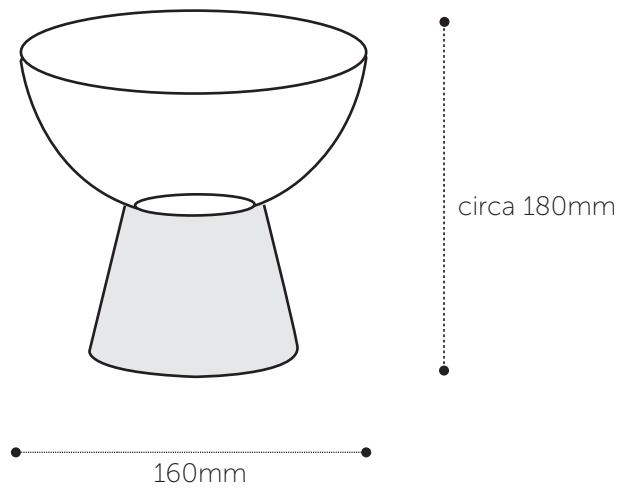


# TOZOO® mod. 38c.P

Design by *Antonio Frisen*  
PRODUCT SPECIFICATIONS



MATERIALS: blown glass, handcrafted ceramic

This series of candle holders consists of two containers that can be used individually.  
The ceramic base can be rotated and used as a small vase that can also be filled with water.

GENERAL RECOMMENDATIONS:  
Decorative object, use only candles with their own container to avoid unwanted wax dripping.

For more information:

TOZOO®

hello@tozoo.it  
www.tozoo.it

© 2014, Oball.due Murano. All rights reserved. All drawings and information contained may not be reproducible.